

Sigma-XT
Fire Alarm and
Extinguishant System
Warning Signs
Installation and
Operations Manual
24V Switched Input Type

Index Page

Table of Contents

1	Overview.....	3
2	Installation.....	3
3	Cabling.....	4
4	Operation.....	5
5	Connections for Inputs.....	6
6	Connections for Outputs.....	6
7	External sounder.....	7
8	Configuration switch.....	8
9	Technical specification.....	8

1 Overview

The conventional illuminated warning signs provide a clear, visual and audible warning for a variety of applications. Standard units are available to provide warning of a fire alarm or extinguishant release but the display may be customised to show any text on several coloured backgrounds.

Warning signs have two levels of operation in which the top and bottom halves of the sign may be split to show an initial warning and then additional text for a reinforced warning if required.

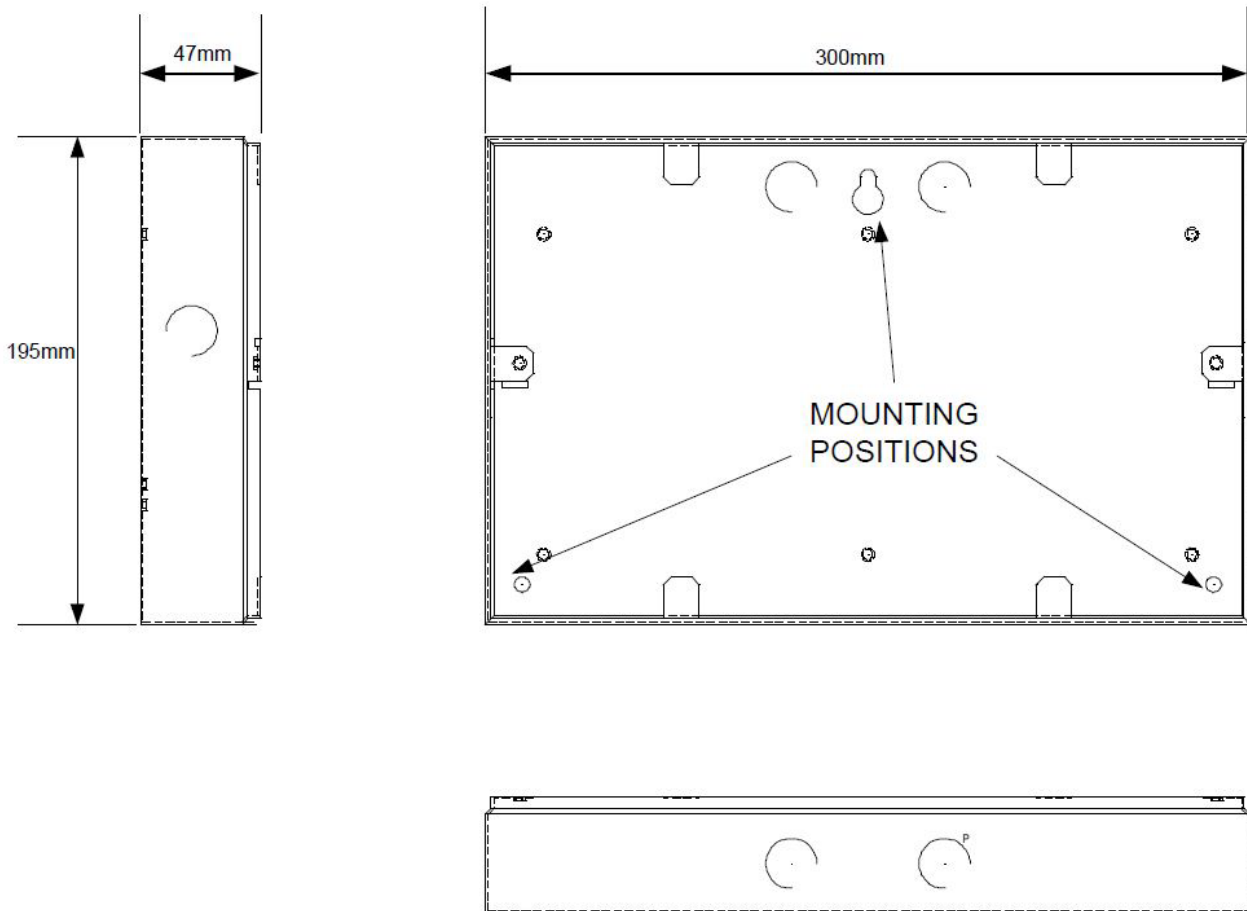
The two levels may be activated either by a common and two switched signals or by application of a DC supply which reverses polarity to signal level 2.

The signs are suitable for Fire, Extinguishing, Security and any other type of alarm system, and have a wide operating voltage from 15 to 30 Volts DC making them suitable for a wide range of applications.

The use of high brightness, white LED indicators minimises power consumption and maximises reliability.

2 Installation

Remove the front plate and use the back box as a template to mark the three fixings in the required position on the mounting surface. The back box must be fixed level and in all three mounting positions on a flat surface using bolts or screws with a minimum diameter of 4mm.



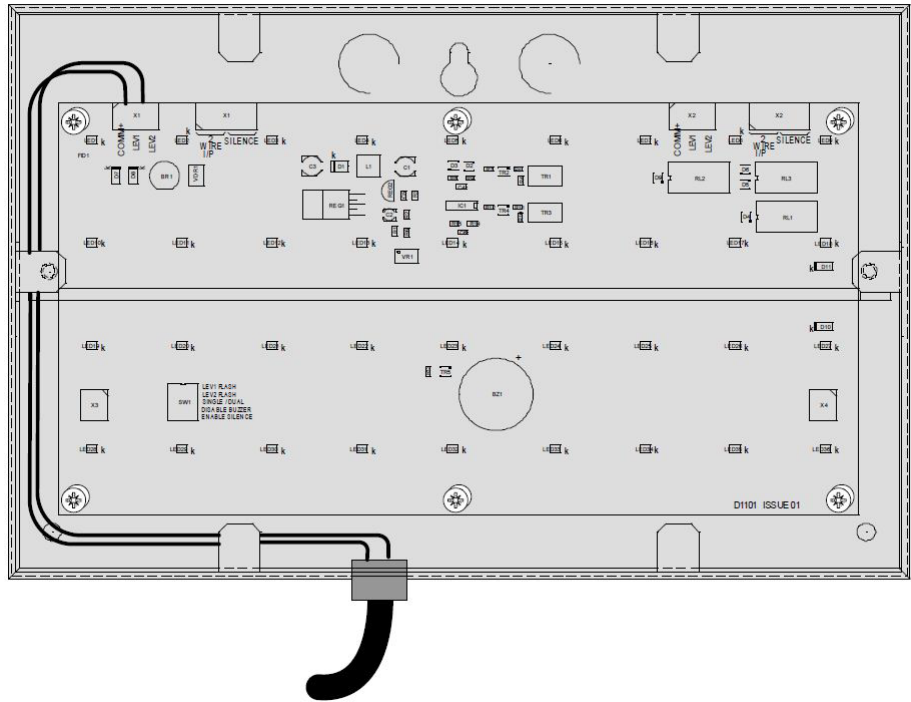
3 Cabling

The back box has two 20mm knockouts in the top, bottom and back and one 20mm knockout in each side. Knockouts can be removed by sharply tapping them and when loose, pushing them back and forth until they break off.

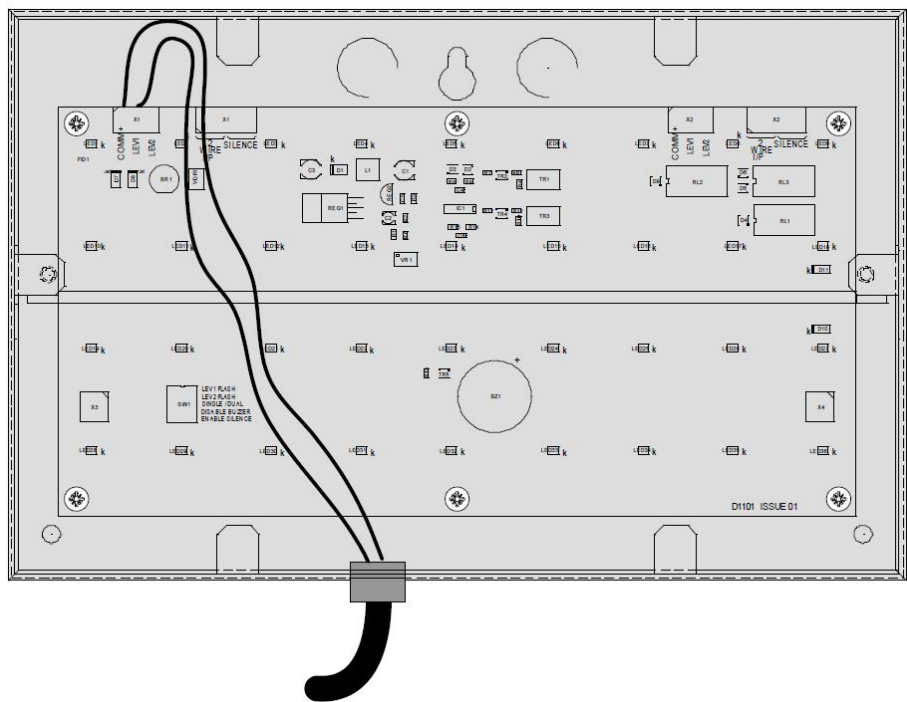
The maximum size of cable that the terminals will accommodate is 2.5mm². Cables should be connected using suitable cable glands and should have tails of sufficient length to reach the required terminals.

Do not install cables across the front surface of the circuit board as this will impair the light output of the unit, and the shadows generated by the cables will be clearly visible when the sign is lit.

CORRECT WIRING

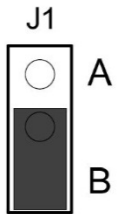


INCORRECT WIRING



4 Operation

NOTE: Jumper J1 must ALWAYS be in position B for correct operation.



Connecting the + supply to the COMM+ terminal and the – supply to the LEV1 terminal will illuminate the upper half of the sign as shown below.

Connecting the + supply to the COMM+ terminal and the – supply to the LEV2 terminal will illuminate both halves of the sign of the sign as shown below.

Connecting - and + to the 2-WIRE I/P will illuminate the upper half of the sign as shown below.

Connecting + and - to the 2-WIRE I/P will illuminate both halves of the sign as shown below.



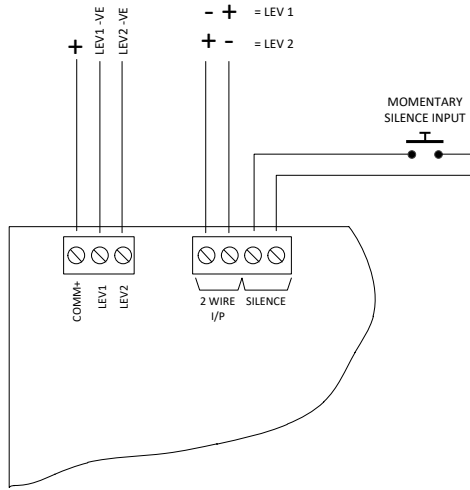
Level 1 input operated



Level 2 input operated

5 Connections for Inputs

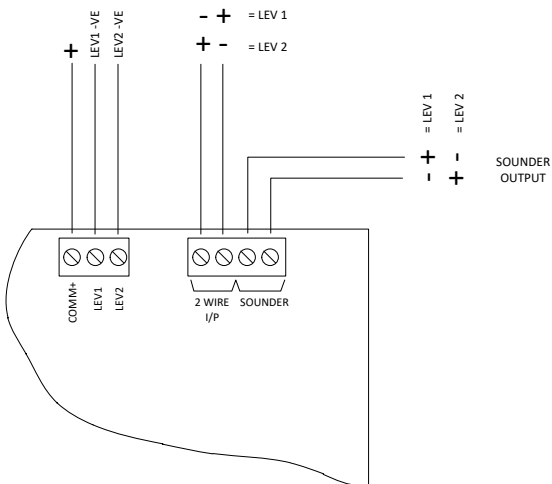
TO NEXT SIGN ON CIRCUIT



Connect 15 to 30 Volt DC supply as shown.

If the internal buzzer is enabled then it can be silenced by an external, normally open volt free contact momentarily connected to the terminals marked SILENCE.

6 Connections for Outputs



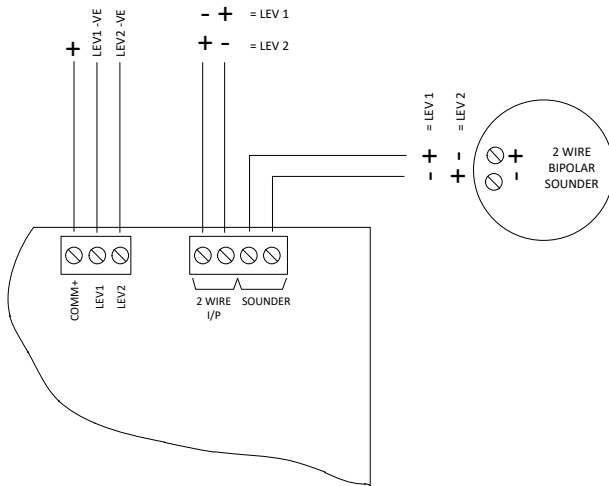
The terminals for activating the warning sign are duplicated on the right hand side of the circuit board for the connection of further signs on the same circuit if required.

7 External sounder

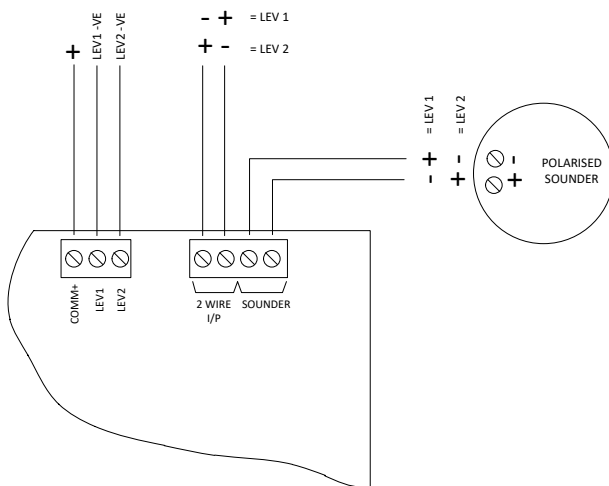
There are an additional two terminals which can be used for connecting to an external sounder.

The sounder can be a conventional, polarised type or a two tone sounder with a voltage reversing input to signal the two different levels of activation. This sounder output will also silence when the SILENCE input is operated.

The voltage that appears at the sounder output will be the same voltage as the input voltage used to activate the warning sign. Sounder current will be sourced by the input that activates the warning sign so this must be taken into consideration when calculating the rating of the circuit that supplies power for the warning sign.








CONNECTION TO 2-WIRE BIPOLAR SOUNDER FOR DIFFERENT SOUNDS ON LEVEL 1 AND LEVEL 2



CONNECTION TO 2-WIRE POLARISED SOUNDER WHICH SOUNDS ON LEVEL 2 ONLY

8 Configuration switch

The configuration switch allows the sign to be configured to suit the application and provides the facility to choose:

1		LEV 1 FLASH	Level 1 will be lit continuously with switch in ON position
2		LEV 2 FLASH	Level 2 will be lit continuously with switch in ON position
3		SINGLE/DUAL	Both halves will be lit regardless of the input with this switch ON
4		ENABLE BUZZER	Buzzer is enabled with switch in the ON position
5		ENABLE SILENCE	Silence input is enabled with switch in the ON position

9 Technical specification

Size	300mm X 195mm X 50mm
Construction	1.2mm filly welded sheet steel
IP Rating	IP50
Finish	Epoxy powder coated
Colour (lid and box)	BS00 A 05 grey fine texture
Operating voltage	15V to 30V DC
Current consumption	130 milliamps at 24V DC (both halves of sign lit and buzzer sounding)
Operating temperature	-5 to + 50 degrees C
Operating humidity	To 95% non-condensing
Sounder output	Maximum current limited by circuit that supplies the warning sign with power.

Sydney

Block Y, Unit 1, 391 Park Road, REGENTS PARK NSW 2143
Mail: PO Box 508 GYMEA NSW 2227
Phone: 1300 INCITE (1300 462 483) | 02 9644 7144
Fax: 02 9644 7255
Email: sales@incitefire.com.au
Technical support: support@incitefire.com.au

Melbourne

Address: Unit 120, 45 Gilby Road, MT WAVERLEY VIC 3149
Phone: 03 9544 2211
Fax: 03 9544 2212
Email: salesvic@incitefire.com.au

Brisbane

Address: 25 Jeays Street, BOWEN HILLS QLD 4006
Phone: 07 3252 5366
Fax: 07 3252 4099
Email: salesqld@incitefire.com.au

Perth

Address: Unit 2, 48 Irvine Drive, MALAGA WA 6090
Phone: 08 9349 2972
Email: saleswa@incitefire.com.au